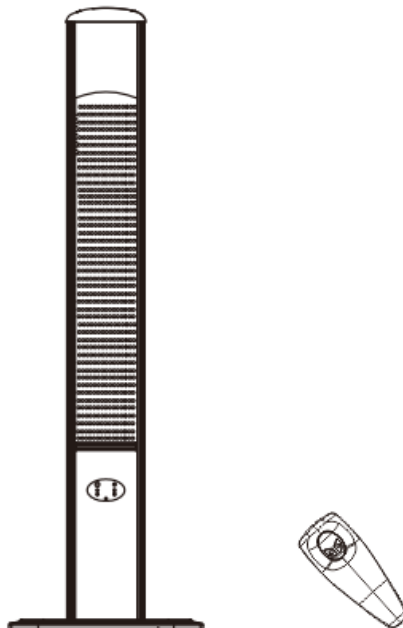


# Manuel d'utilisation Parasol électrique

ZHQ2096-S



**UTILISER À L'EXTÉRIEUR OU À L'INTÉRIEUR DES LOCAUX OU DANS UN ESPACE BIEN AÉRÉ.**

**LIRE LA NOTICE AVANT L'UTILISATION DE L'APPAREIL  
DES PARTIES ACCESSIBLES PEUVENT ÊTRE TRÈS CHAUDES.**

**TENIR HORS DE LA PORTEE DES ENFANTS**

**Précautions à prendre avant la première utilisation :**

**L'installation doit toujours être effectuée par une personne compétente.**

**L'appareil doit être soigneusement branché à une prise de terre.**

**L'appareil doit être éloigné des substances inflammables.**

**L'appareil est équipé d'un dispositif de sécurité avec des grilles. Celles-ci sont destinées uniquement à**

**arrêter des gros objets. Ne jamais utiliser l'appareil sans les grilles de protection.**

**-Vous devez éloigner les enfants de moins de 3 ans**

**de l'appareil. S'ils sont à proximité de l'appareil, vous devez les surveiller de manière continue.**

**-Les enfants âgés entre 3 ans et 8 ans peuvent**

**uniquement éteindre et allumer l'appareil. Avant cela, l'appareil doit être correctement installé. Ils doivent également avoir pris conscience des instructions à**

**suivre et des dommages que cela peut induire. Les enfants âgés entre 3 ans et 8 ans ne doivent pas brancher l'appareil, le régler, le nettoyer ou assurer sa maintenance.**

**Attention: Certaines parties accessibles peuvent être brûlantes et causer des dommages.**

**Vous devez porter une attention particulière aux enfants et aux personnes vulnérables lors du fonctionnement de l'appareil.**

**C**hildren of less than 3 years should be kept away unless continuously supervised.

**C**hildren aged from 3 years and less than 8 years shall only switch on/off the appliance provided that it has been placed or installed in its intended normal operating position and they have been given supervision or instruction concerning use of the appliance in a safe way and understand the hazards involved.

d. **C**hildren aged from 3 years and less than 8 years shall not plug in, regulate and clean the appliance or perform user maintenance.

**CAUTION — S**ome parts of this product can become very hot and cause burns. **P**articular attention has to be given where children and vulnerable people are present.

**T**his appliance can be used by children aged from 8 years and above and persons with reduced physical, sensory or mental capabilities or lack of experience and knowledge if they have been given supervision or instruction concerning use of the appliance in a safe way and understand the hazards involved. **C**hildren shall not play with the appliance.

**C**leaning and user maintenance shall not be made by children without supervision.

**W**hen the power supply cord is damaged, it must be replaced by authorized agent or other professional people to avoid danger. **Do not** position immediately above or below an electrical socket.

**WARNING: T**his heater is not equipped with a device to control the room temperature. **Do not** use this heater in small rooms when they are occupied by persons not capable of leaving the room on their own, unless constant supervision is provided.

## **IMPORTANT INSTRUCTIONS:**

**When using electrical appliances, basic precautions should always be followed to reduce the risk of fire, electric shock, and injury to persons, including the following:**

1. **R**ead ALL instructions before using this unit.
2. **CAUTION: R**isk of Electric Shock. **DO NOT** open or try to repair the heater yourself.
3. **T**his heater is hot when in use. **T**o avoid burns, do not let bare skin touch hot surfaces. **Do not** move this heating when still hot.

4. **WARNING:** Risk of fire-keep combustible material such as furniture, papers, clothes, and curtains at least 3 feet (0. 9) from the front of heater and away from the sides and rear.
  5. **DO NOT** place towels or other objects on the heater.
  6. **E**xtrême caution is necessary when any heater is used by or near children or invalids and whenever the heater is left operating and unattended.
  7. **A**lways unplug heater when not in use.
  8. **DO NOT** operate any heater with a damaged cord or after the heater malfunctions, has been dropped or has been damaged in any manner, Return heater to authorized service examination, electrical or mechanical adjustment, or repair.
  9. **T**his heater is not intended for use in bathrooms, laundry areas and similar Indoor locations. **N**ever locate heater where it may fall into a bathtub or other water container.
  10. **T**o protect against electrical hazards, **DO NOT** immerse in water or other liquids.
  11. **DO NOT** touch the control panel or plug In with wet hands.
  12. **DO NOT** run cord under carpeting. **DO NOT** cover cord with throw rugs, runners, or similar coverings. Arrange cord away from traffic area and where it will not be tripped over.
  13. **T**o disconnect heater, turn controls to OFF, then remove plug from outlet.
  14. **DO NOT** insert or allow foreign objects to enter any ventilation or exhaust opening as this may cause an electric shock or fire, or damage the heater.
  15. **T**o prevent a possible fire, **DO NOT** block the air intakes or exhaust in any manner, **DO NOT** use on soft surfaces, like a bed, where openings may become blocked.
  16. **A** heater has hot and arcing or sparking parts inside. **Do not** use it in areas where gasoline, paint, or flammable liquids are used or stored.
  17. **U**se this heater only as described in this manual. **A**ny other use not recommended by the manufacturer may cause fire, electric shock, or injury to persons.
  18. **A**lways plug heaters directly into a wall outlet/receptacle. **N**ever use with an extension cord or relocatable power tap (outlet/power strip).
- U**se only for intended household use as described in this manual. **A**ny other use not recommended by the

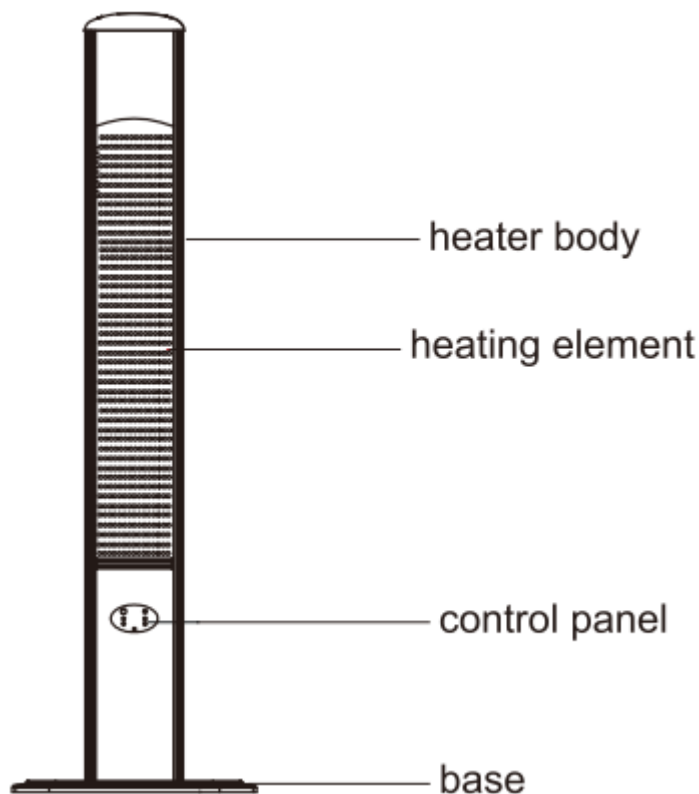
manufacture may cause fire, electric shock, or injury to persons. **T**he use of attachments not recommend or sold by unauthorized dealers may cause hazards.

19. **DO NOT** attempt to repair or adjust any electrical or mechanical functions on this unit, doing so will void your warranty, **T**he inside of the unit contains no user serviceable parts. **O**nly qualified personnel should perform all servicing only.

20. **C**onnect to properly grounded outlets only.

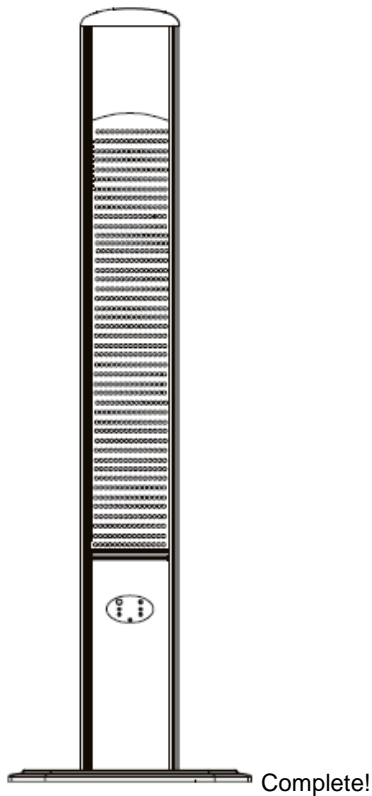
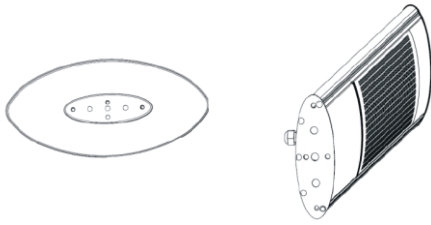
21. **C**hildren should be supervised to ensure that they do not play with the appliance.

## 22. SAVE THESE INSTRUCTIONS



## Assembling Process

Step 1: Fix the Bottom base and heat body using 4pcs M8\*25 bolts.



## Caution

Only use the halogen heater on a film solid horizontal area where all the feet on the base are in contact with the floor.(Should the heater be tilted or fall over the auto cut off switch will active)

1. Place the heater outside or in a large open area and well away from any obstructions such as branches or where the heater is near any objects that can be effected by heat, such as furniture, curtains or other inflammable objects( minimum distance 1 meter).
2. Do not use near bath tubs, wash areas or swimming pools.
3. Do not use in unventilated areas.
4. Do not use where gas, petrol, paint or other inflammable goods are stored.

5. Do not push any items through, obstruct or cover the grill of the heater head.
6. Do not position immediately above or below an electric socket.
7. Do not move when connected to an electrical supply and always wait for the patio heater to cool down before storing away.
8. Do not touch the heater head when in use.
9. Do not leave turned on and unattended especially when children and or animals are in the vicinity.
10. The indication of the difference position of switched shall be visible from a distance of 1M.
11. The Marking concerning covering shall be visible after the heater has been installed. It shall not be placed on the back of portable heaters.
12. The unit must be placed with the clearance of 100cm to the wall.
13. The unit must be correctly installed according to the instructions.
14. The unit must be securely placed on a horizontal and flat surface,
15. The unit is at high temperature during operation. It keeps hot for a period after shut down. Potential danger would occur when touching it during this period.
16. Don't place the unit closed to curtain and/or other flammable objects. Otherwise there will be a danger of catching fire.
17. Don't cover the unit with anything during operation or a short time after it's shut down.
18. Don't wrap the power supply cord on the unit.
19. The unit must be handled with care, and avoid vibration or hitting.
20. The unit must be securely grounded during operation.
21. If the unit gets damaged, it must be repaired by professional electricians.
22. When the power supply cord is damaged, it must be replaced by authorized agent or other professional electricians.
23. The unit must not be positioned under a socket.
24. When assembling, keep clear from any board or flammable material.
25. The unit must be supervised by adults if it's used by a child.
26. It is not safe to install the unit by a swimming pool, in a bathroom or shower area.
27. The unit is for household use only. It is not safe to use on a building site, greenhouse, barn or stable where there's flammable dust.
28. The head of the unit is at high temperature during operation. Unplug the unit and wait till it cools before cleaning.
29. Don't use this unit in place where causticity or volatile air exists, i.e. dust, steam, gas, etc.
30. Don't use this unit as a cloth drier or towel drier.
31. Don't use this unit as a sauna heater.
32. Don't use this unit as a room heater.
33. Don't use this unit in place of animal propagating and raising.
34. Don't immerse this unit into water for cleaning.
35. The unit should be plugged in a socket, which is easily visible and reachable.
36. One dark point may exist on the surface of the heating elements during the first few minutes after it is turned on. This is normal, and will not affect the performance of

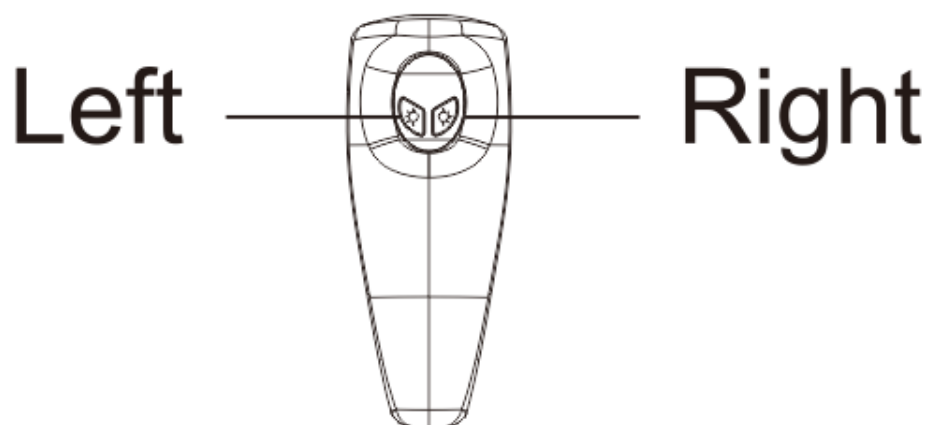
the unit.

37. The heater must not be located immediately below a socket-outlet.
38. Do not use this heater in the immediate surroundings of a bath, a shower or a swimming pool.
39. WARNING! In order to avoid overheating, do not cover the heater.
40. Do not use this heater with a programmer, timer, separate remote-control system or any other device that switches the heater on automatically, since a fire risk exist if the heater is covered or positioned incorrectly.
41. The appliance is not to be used by children or persons with reduced physical, sensory or mental capabilities, or lack of experience and knowledge unless they have been supervised or instructed.
42. Children being supervised and not to play with the appliance.
43. If the supply cord is damaged, it must be replaced by the manufacture, its service agent or similarly qualified persons in order to avoid a hazard.
44. DO NOT COVER! Don't cover the unit with anything during operation or a short time after it's shut down.

#### Operation

Connect the power cable to a 13 amp supply that is located in a safe, dry area.

- The power switch on the back of the unit is used to control the power of the appliance.
- The buttons on the heater control panel are used to control the two heating levels. The button on the left side is to control the heating element on the left side 900W; the button on the right side is to control the heating element on the right side 900W.



- On the remote control, the left button control the heating element on the left side 900W; the right button control the heating element on the right side 900. If the 2 buttons are "ON" in the same time, the total heater power is 1800W.
- Although the patio heater is shower proof, do not use when raining or in wet conditions.
- Always disconnect the power cable from the electrical supply, when the patio heater is not in use.





Ce symbole de mise en garde signifie que la surface est chaude et exige des précautions.



Ce symbole de mise en garde signifie que

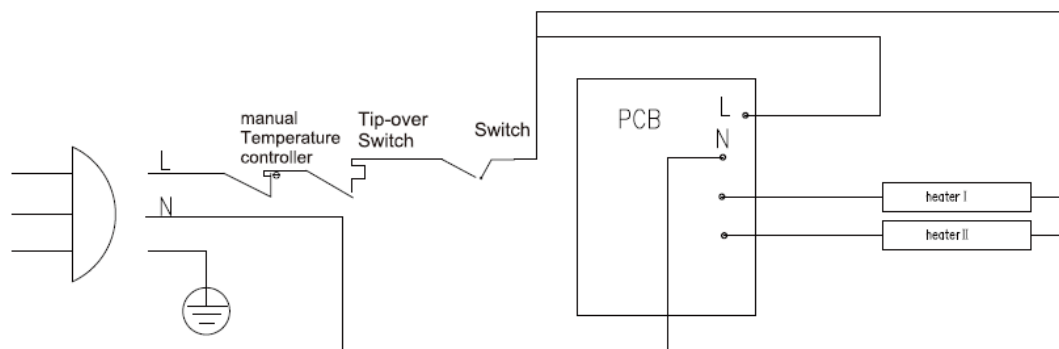
## CARACTÉRISTIQUES TECHNIQUES

Modèle	ZHQ2096-S
Puissance	900/900/1800W
Voltage	220-240 V
Fréquence	50 Hz
Classe :	I
IP	IP 55
Importé par : FAVEX S.A 75016 Paris, France	

### Normes harmonisées appliquées :

EN 60335-1:2002+A11:2004+A12:2006+A2:2006+A13:2008+A14:2010;  
 EN 60335-2-30:2009;  
 EN 62233:2008;  
 EN 55014-1:2006+A1:2009+A2:2011;  
 EN 55014+2:1997+A1:2001+A2:2008;  
 EN 61000-3-2:2006+A1:2009+A2:2009;  
 EN 61000-3-3:2008;

### Diagramme du circuit électrique:



## Soins et Maintenance

- Bien que le parasol chauffant soit résistant à l'eau, évitez de l'utiliser quand il pleut.
- Quand le cordon d'alimentation est débranché, nettoyez l'extérieur de la tête halogène avec un chiffon sec. Ne jamais utiliser de nettoyant corrosif ou solvant, Ne jamais immerger la tête chauffante dans l'eau.
- Les maintenances et réparations, incluant le remplacement du tube halogène chauffant, doivent être effectuées par une personne compétente.
- Votre appareil est garanti 2 ans.
- Une mauvaise utilisation ou une modification de l'appareil entraînerait l'annulation de la garantie.

**En cas de moindre doute sur le montage ou la mise en service de cet appareil, appeler votre revendeur.**



**Importé et Distribué par FAVEX**

Adresse e-mail du SAV : [sav@favex.fr](mailto:sav@favex.fr)

Numéro de fax SAV : 02.77.41.01.68

[www.favex.fr](http://www.favex.fr)