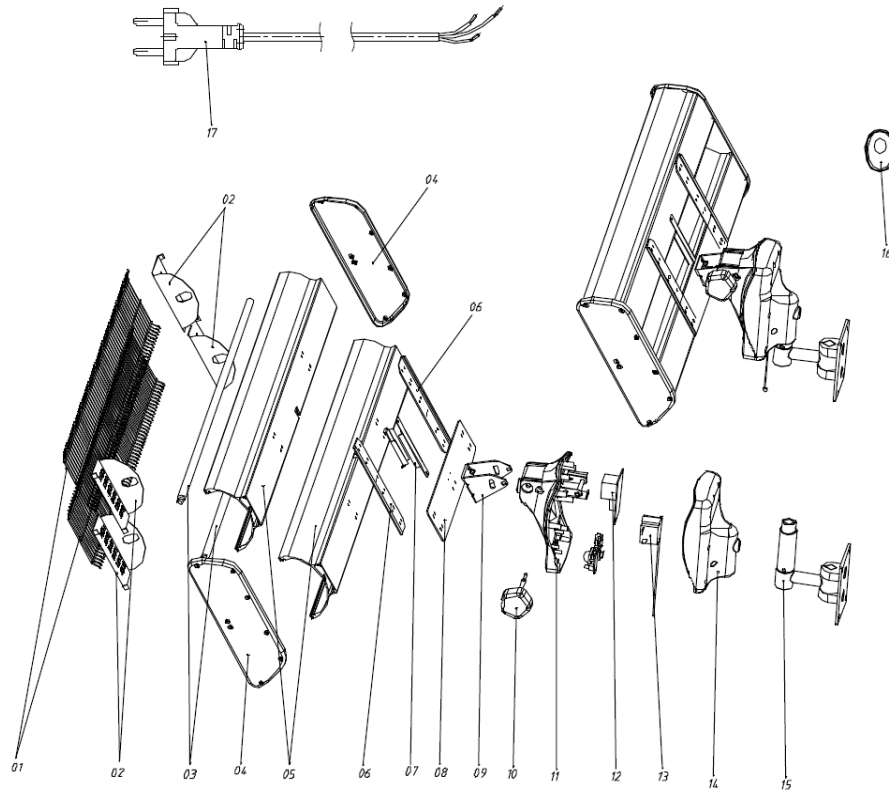


ZHQ2031IR EXPLODE DRAWING



NO	PARTS NO		QTY	Price (US\$)
01	010800199	Mesh	2	3
02	010900172	Side Mesh	4	0.6
03	040400079	Halogen Lamp	2	5.6
04	010900372	Outer Side Board	2	1
05	010800652	Reflector	2	12
06	010900182	Strengthen board	1	2
07	010900965	Top protect cover	1	2
08	010900966	New conection board	1	3.5
09	010900964	New outside U board	1	2
10	011000344	PLUM KNOB	1	0.3
11	011000660	Sensor switch box	1	2.5
12	010360232	ZHQW033B(PCB)	1	10
13	010330018	Rope switch	1	1
14	011000661	Sensor switch cover	1	2.5
15	010900650	Wall assembly parts	1	5.25
16	010360013	Remote control	1	3
17	011100556	Power cord	1	4.5