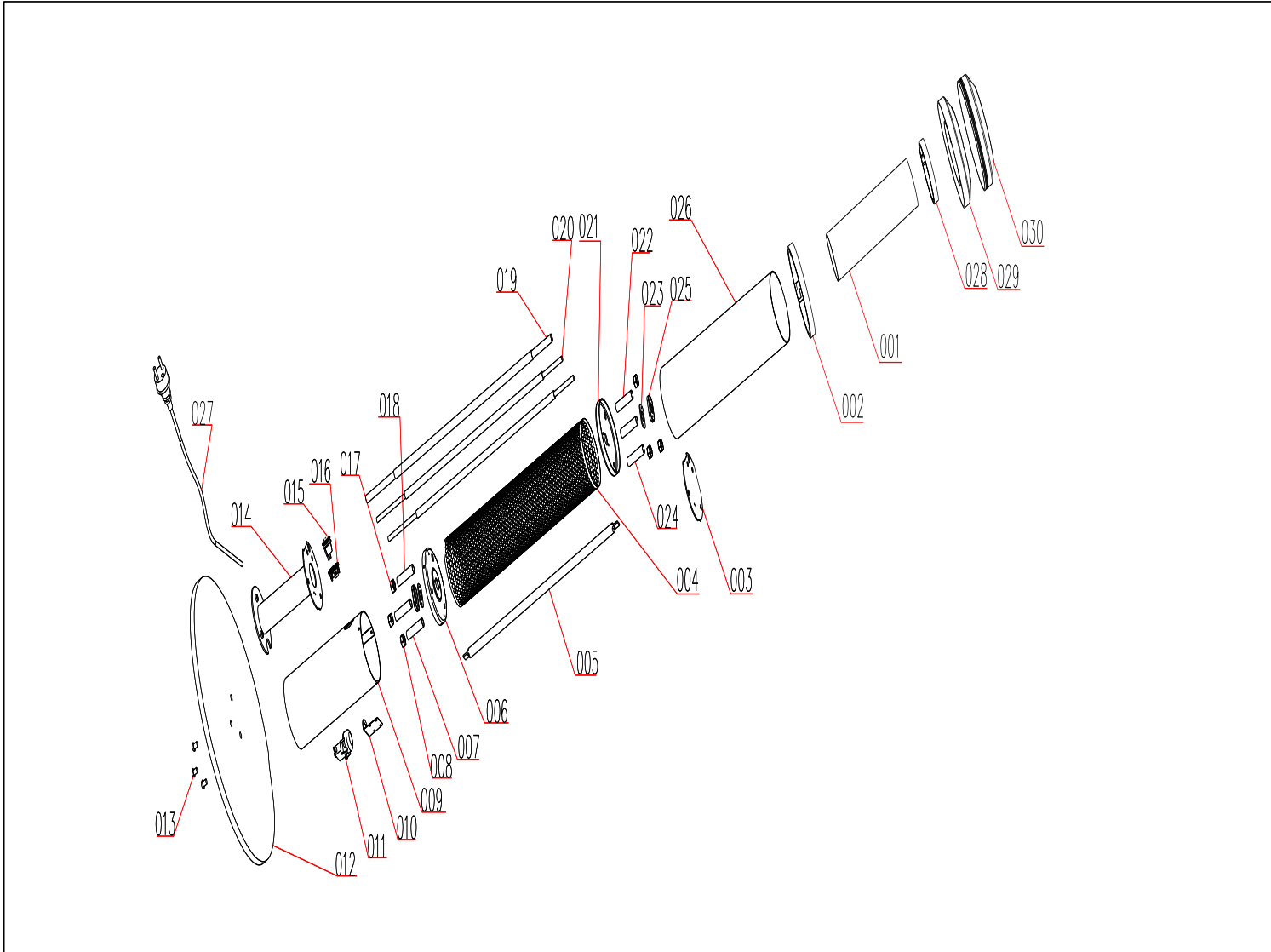


ZHQ1080-RDSH EXPLODE DRAWING



Parts List

No.	Parts Name	Quantity
1	Ashtray	1
2	Outer Ring	1
3	Upper Connection Plate	1
4	1080-RD Mesh	1
5	1080-RD Ruby Red Heating Element	1
6	1080-RD Bottom Connection Board	1
7	1480 Pole	1
8	Nuts	2
9	1080-RD Bottom Pole	1
10	1560 Tip over Switch Bracket	1
11	Tip over Switch	1
12	1080-RD Round Base	1
13	Screw	3
14	1080-RD Bottom Pole Set	1
15	Switch	1
16	1080 Switch Holder	1
17	Nuts	4
18	1280 Pole	2
19	1080 Pole2	1
20	1080 Pole3	2
21	Top Connection Board	1
22	1250 Pole	2
23	1080 Silicon Ring	2
24	1450 Pole	1
25	1080 Pressing Clip	2
26	1080-RD Top Pole	1
27	Power Cord	1
28	Inner Ring	1
29	Surface Cover	1
30	Ashtray Cover	1